

# ELLISON SENSORS Pressure Transducers

## SERIES PR3850 – Flush Diaphragm 4-20mA Output Models

### FEATURES

- All Stainless Steel Construction
- ½” BSP Male Flush Diaphragm Process Connection
- Industrial Standard 4-20mA Output
- Zero & Span Adjustment
- Wide Operating Temperature Range
- Outstanding Performance & Stability
- **THE EX STOCK TRANSDUCER**



### DESCRIPTION

The Ellison Sensors PR3850 series flush diaphragm pressure transmitter is designed for demanding applications where the process media is unsuitable for direct contact with the transducer diaphragm (slurries etc).

The series features high accuracy together with an output of 4-20mA and adjustable zero & span for ease of calibration. All models are supplied with ½” BSP thread process connection (optional 1” BSP) and a large DIN43650 Plug for electrical connection. The fully 316 stainless steel body offer high level of corrosion resistance with the overall transducer having an IP65 environmental rating.

Applications for the PR3850 series include the continuous monitoring of oil, gas, water and other liquids in the process, industrial and food manufacturing industries where good quality, fast delivery and low cost are high priority.

### SPECIFICATIONS

Pressure Ranges	0-2 Bar to 400 Bar	Over Pressure	1.6 x Rated Pressure
Output Span	4-20mA	Output Type	2 Wire
Zero Offset	<+/-1% FSO	Span Tolerance	<+/-1% FSO
Combined Error <sup>1</sup>	<+/-0.3% FSO	Repeatability	<+/-0.1% FSO
Long Term Stability	<+/-0.2% FSO/ 6 months	Supply Voltage	13-36V dc
Supply Voltage Effect	3uA/V	Reverse Polarity	Protected
Output Short Circuit (to gnd.)	No Damage	Load Driving Capacity	1150Ω @ 36V dc
Insulation Resistance	100MΩ@100Vdc (conn. to case)	Adjustments	+/-10% FSO (zero & span)
Pressure Media	Material Compatible SS316	Media Temperature	-20 to +85° C.
Ambient Temperature	-40 to +90° C.	Thermal effect on Zero	+/-0.04% FSO/°C
Thermal Sensitivity	+/-0.04% FSO/°C	Mechanical Shock Tolerance	15g @ s (11ms)
Vibration Tolerance	10g's to 50Hz	Humidity	95% R.H.
Pressure Connection	½” BSP Male (Opt. 1” BSP Male)	Electrical Connection	DIN Plug
Environmental Rating	IP65	Weight	90 grams

## OCEAN CONTROLS

4 FERGUSON DRIVE

BALNARRING VIC. 3926

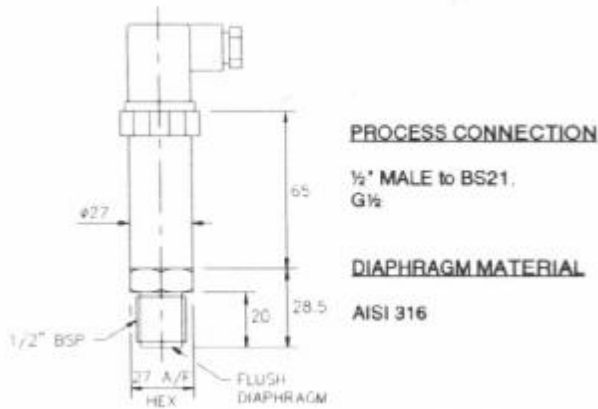
PHONE: (03) 5983.1163, FAX: (03) 5983.1120

Email: ocontrol@pac.com.au

# ELLISON SENSORS Pressure Transducers

## SERIES PR3850 – Flush Diaphragm 4-20mA Output Models

### DIMENSIONS

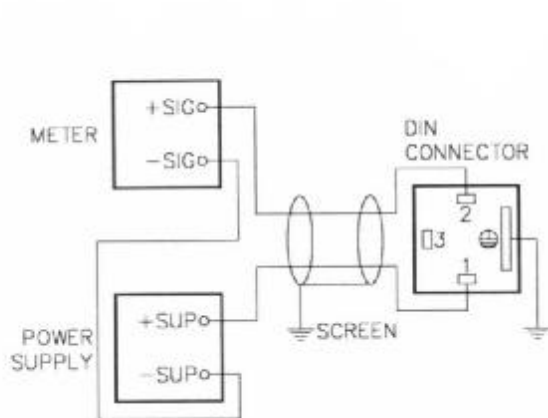


### STOCKED PRESSURE RANGES:

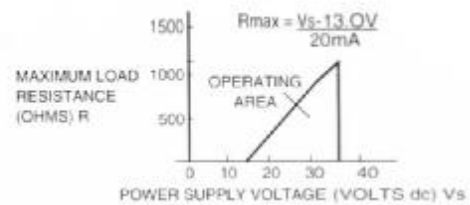
Model	Pressure Range
PR3850-2.5	2.5 Bar (36 PSI)
PR3850-4	4 Bar (58 PSI)
PR3850-6	6 Bar (86 PSI)
PR3850-10	10 Bar (14.7 PSI)
PR3850-16	16 Bar (230 PSI)
PR3850-25	25 Bar (360 PSI)
PR3850-40	40 Bar (580 PSI)
PR3850-60	60 Bar (860 PSI)
PR3850-100	100 Bar (1470 PSI)
PR3850-160	160 Bar (2300 PSI)
PR3850-250	250 Bar (3600 PSI)
PR3850-400	400 Bar (5800PSI)

Special ranges and calibrations in any measurement units (eg PSIG, KPa, mtrsWG etc) can be supplied at no additional cost.

### WIRING DIAGRAM



### LOAD DRIVING CHART



## OCEAN CONTROLS

4 FERGUSON DRIVE  
 BALNARRING VIC. 3926  
 PHONE: (03) 5983.1163, FAX: (03) 5983.1120  
 Email: ocontrol@pac.com.au